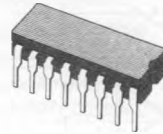


## EXTENDED TEMPERATURE RANGE PCM MONOLITHIC FILTER

- EXCEEDS ALL D3/D4 AND CCITT SPECIFICATIONS
- + 5 V, - 5 V POWER SUPPLIES
- LOW POWER CONSUMPTION :
  - 45 mW (600  $\Omega$  -0 dBm load)
  - 30 mW (power amps disabled)
- POWER DOWN MODE : 0.5 mW
- 20 dB GAIN ADJUST RANGE
- NO EXTERNAL ANTI-ALIASING COMPONENTS
- SIN  $x/x$  CORRECTION IN RECEIVE FILTER
- 50/60 Hz REJECTION IN TRANSMIT FILTER
- TTL AND CMOS COMPATIBLE LOGIC
- ALL INPUTS PROTECTED AGAINST STATIC DISCHARGE DUE TO HANDLING



**DIP16**  
(Ceramic)

**ORDER CODES :** ETC5040X  
ETC5040AX

### DESCRIPTION

The ETC5040A filter is a monolithic circuit containing both transmit and receive filters specifically designed for PCM CODEC filtering applications in 8 kHz sampled systems.

The filter is manufactured using double-poly silicon gate CMOS technology. Switched capacitor integrators are used to simulate classical LC ladder filters which exhibit low component sensitivity.

#### TRANSMIT FILTER STAGE

The transmit filter is fifth order elliptic low pass filter in series with a fourth order Chebychev high pass filter. It provides a flat response in the passband and rejection of signals below 200 Hz and above 3.4 kHz.

#### RECEIVE FILTER STAGE

The receive filter is a fifth order elliptic low pass filter designed to reconstruct the voice signal from the decoded/demultiplexed signal which, as a result of the sampling process, is a stair-step signal having the inherent sin  $x/x$  frequency response. The receive filter approximates the function required to compensate for the degraded frequency response and restore the flat pass-band response.

### PIN CONNECTION

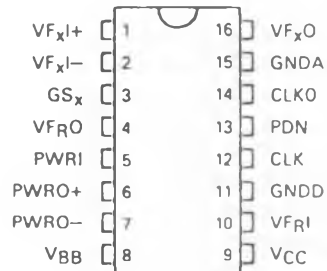
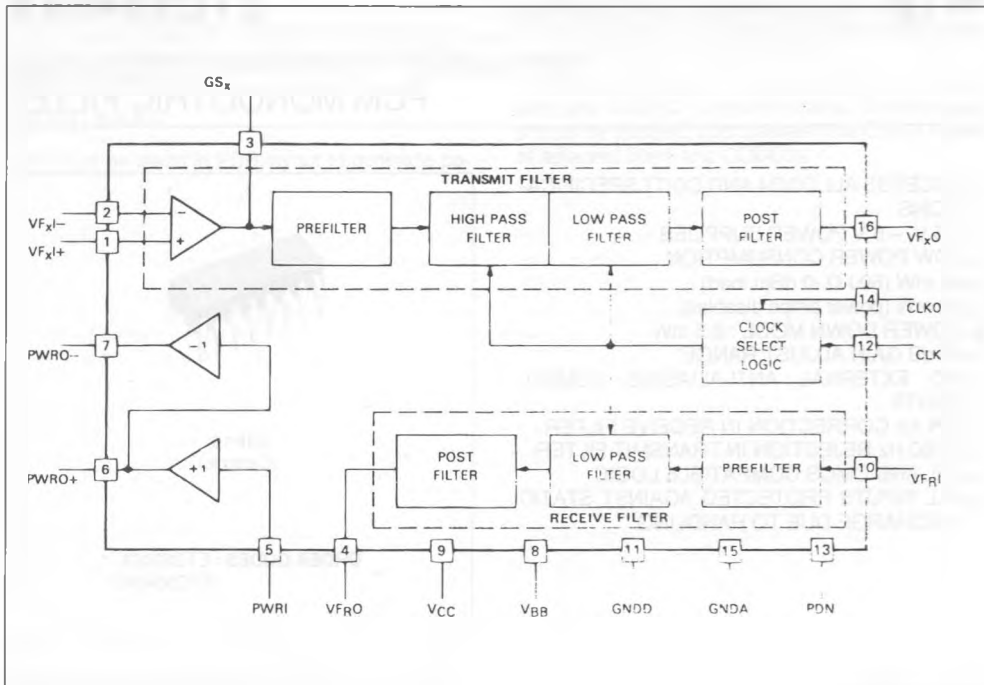


Figure 1 : Block Diagram.



## PIN DESCRIPTION

Name	Pin Type	N°	Description
VF <sub>x</sub> I <sup>+</sup>	I	1	The Non-inverting Input to the Transmit Filter Stage
VF <sub>x</sub> I <sup>-</sup>	I	2	The Inverting Input to the Transmit Filter Stage
GS <sub>x</sub>	O	3	The output used for gain adjustments of the transmit filter.
VF <sub>R</sub> O	O	4	The Low Power Receive Filter Output. This pin can directly drive the receive port of an electronic hybrid.
PWRI	I	5	The Input to the Receive Filter Differential Power Amplifier
PWRO <sup>+</sup>	O	6	The Non-inverting Output of the Receive Filter Power Amplifier. This output can directly interface conventional transformer hybrids.
PWRO <sup>-</sup>	O	7	The Inverting Output of the Receive Filter Power Amplifier. This output can be used with PWRO <sup>+</sup> to differentially drive a transformer hybrid.
V <sub>BB</sub>	S	8	The Negative Power Supply Pin. Recommended input is - 5 V.
V <sub>CC</sub>	S	9	The Positive Power Supply Pin. The recommended input is 5 V.
VF <sub>R</sub> I	I	10	The Input Pin for the Receive Filter Stage
GNDD	GND	11	Digital Ground Input Pin. All digital signals are referenced to this pin.
CLK	I	12	Master Input Clock. Input frequency can be selected as 2.048 MHz, 1.544 MHz or 1.536 MHz.
PDN	I	13	The input pin used to power down the ETC5040/ETC5040A during idle periods. Logic 1 (V <sub>CC</sub> ) input voltage causes a power down condition. An internal pull-up is provided.
CLKO	I	14	This input pin selects internal counters in accordance with the CLK input clock frequency : <b>CLK            Connect CLKO to :</b> 2048 k H z            V <sub>CC</sub> 1544 k H z            GNDD 1536 k H z            V <sub>BB</sub> An internal pull-up is provided.
GNDA	GND	15	Analog Ground Input Pin. All analog signals are referenced to this pin. Not Internally connected to GNDD.
VF <sub>x</sub> O	O	16	The Output of the Transmit Filter Stage

## ABSOLUTE MAXIMUM RATINGS

Symbol	Parameter	Value	Unit
V <sub>CC</sub>	Supply Voltage	± 7	V
V <sub>in</sub>	Input Voltage	± 7	V
T <sub>A</sub>	Operating Temperature Range	- 25 to + 125	°C
T <sub>stg</sub>	Storage Temperature	- 65 to + 150	°C
P <sub>D</sub>	Power Dissipation	1/Package	W
	Output Short-circuit Duration	Continuous	
	Lead Temperature	300	°C

## DC ELECTRICAL CHARACTERISTICS

$T_A = 40\text{ }^\circ\text{C}$  to  $+85\text{ }^\circ\text{C}$ ,  $V_{CC} = 5.0\text{ V} \pm 5\%$ ,  $V_{BB} = -5.0\text{ V} \pm 5\%$ , clock frequency is 2.048 MHz. Typical parameters are specified at  $T_A = +25\text{ }^\circ\text{C}$ ,  $V_{CC} = 5.0\text{ V}$ ,  $V_{BB} = -5.0\text{ V}$  (unless otherwise specified). Digital interface voltages measured with respect to digital ground, GNDD. Analog voltages measured with respect to analog ground, GNDA.

## POWER DISSIPATION

Symbol	Parameter	Min.	Typ.	Max.	Unit
$I_{CC0}$	$V_{CC}$ Standby Current (PDN = $V_{DD}$ , power down mode)	–	–	400	$\mu\text{A}$
$I_{BB0}$	$V_{BB}$ Standby Current (PDN = $V_{DD}$ , power down mode)	– 400	–	–	$\mu\text{A}$
$I_{CC1}$	$V_{CC}$ Operating Current (PWRI = $V_{BB}$ , power amp inactive)	–	–	5.0	mA
$I_{BB1}$	$V_{BB}$ Operating Current (PWRI = $V_{BB}$ , power amp inactive)	– 5.0	–	–	mA
$I_{CC2}$	$V_{CC}$ Operating Current (note 1)	–	–	7.0	mA
$I_{BB2}$	$V_{BB}$ Operating Current (note 1)	–7.0	–	–	mA

## DIGITAL INTERFACE

Symbol	Parameter	Min.	Typ.	Max.	Unit
$I_{INC}$	Input Current, CLK ( $0\text{ V} \leq V_{IN} \leq V_{CC}$ )	– 10	–	10	$\mu\text{A}$
$I_{INP}$	Input Current, PDN ( $0\text{ V} \leq V_{IN} \leq V_{CC} - 2\text{ V}$ )	– 100	–	–	$\mu\text{A}$
$I_{INO}$	Input Current, CLKO ( $V_{BB} \leq V_{IN} \leq V_{CC} - 2\text{ V}$ )	– 10	–	– 0.1	$\mu\text{A}$
$V_{IL}$	Input Low Voltage, CLK, PDN	0	–	0.8	V
$V_{IH}$	Input High Voltage, CLK, PDN	2.2	–	$V_{CC}$	V
$V_{ILO}$	Input Low Voltage, CLKO	$V_{BB}$	–	$V_{BB} + 0.5$	V
$V_{IIO}$	Input Intermediate Voltage, CLKO	– 0.8	–	0.8	V
$V_{IHO}$	Input High Voltage, CLKO	$V_{CC} - 0.5$	–	$V_{CC}$	V

## TRANSMIT INPUT AMP. OP.

Symbol	Parameter	Min.	Typ.	Max.	Unit
$I_{BxI}$	Input Leakage Current, $V_{FxI}$ ( $V_{BB} \leq V_{FxI} \leq V_{CC}$ )	– 100	–	100	nA
$R_{IxI}$	Input Resistance $V_{FxI}$ ( $V_{BB} \leq V_{FxI} \leq V_{CC}$ )	10	–	–	M $\Omega$
$V_{OSxI}$	Input Offset Voltage, $V_{FxI}$ ( $-2.5 \leq V_{IN} \leq +2.5\text{ V}$ )	– 20	–	20	mV
$V_{CM}$	Common-mode Range, $V_{FxI}$	– 2.5	–	2.5	V
CMRR	Common-mode Rejection Ratio ( $-2.5\text{ V} \leq V_{IN} \leq 2.5\text{ V}$ )	60	–	–	dB
PSRR	Power Supply Rejection of $V_{CC}$ or $V_{BB}$	60	–	–	dB
$R_{OL}$	Open Loop Output Resistance $GS_x$	–	1	–	k $\Omega$
$R_L$	Minimum Load Resistance, $GS_x$	10	–	–	k $\Omega$
$C_L$	Maximum Load Capacitance, $GS_x$	–	–	100	pF
$V_{OxI}$	Output Voltage Swing, $GS_x$ ( $R_L \geq 10\text{ k}\Omega$ )	$\pm 2.5$	–	–	V
$A_{VOL}$	Open Loop Voltage Gain, $GS_x$ ( $R_L \geq 10\text{ k}\Omega$ )	5.000	–	–	V/V
$F_C$	Open Loop Unity Gain Bandwidth, $GS_x$	–	2	–	MHz

## AC ELECTRICAL CHARACTERISTICS

$T_A = -40\text{ }^{\circ}\text{C}$  to  $85\text{ }^{\circ}\text{C}$  All parameters are specified for a signal level of 0 dBm0 at 1 kHz. The 0 dBm0 level is assumed to be 1.54 Vrms measured at the output of the transmit or receive filter. (unless otherwise specified).

## TRANSMIT FILTER (note 2)

Symbol	Parameter	Min.	Typ.	Max.	Unit	
RL <sub>x</sub>	Minimum Load Resistance - 2.5 V < V <sub>OUT</sub> < + 2.5 V - 3.2 V < V <sub>OUT</sub> < + 3.2 V	3	-	-	kΩ	
		10	-	-		
CL <sub>x</sub>	Load Capacitance VF <sub>x</sub> O	-	-	100	pF	
	Output Resistance, VF <sub>x</sub> O	-	-	4		Ω
PSRR1	V <sub>CC</sub> Power Supply Rejection VF <sub>x</sub> I (f = 1 kHz, VF <sub>x</sub> I+ = 0 Vrms)	30	-	-	dB	
PSRR2	V <sub>BB</sub> Power Supply Rejection, VF <sub>x</sub> O. (same as above)	35	-	-	dB	
GA <sub>x</sub>	Absolute Gain (f = 1 kHz)	ETC5040A	2.850	-	3.100	dB
		ETC5040	2.875	-	3.125	
GR <sub>x</sub>	Gain Relative to GA <sub>x</sub>	-	-	-	dB	
	Below 50 Hz	-	-	- 35		
	50 Hz	-	- 41	- 35		
	60 Hz	-	- 35	- 30		
	200 Hz	ETC5040	- 1.5	-		0.1
		ETC5040A	- 1.5	-		0.05
	300 Hz to 3 kHz	ETC5040	- 0.125	-		0.125
		ETC5040A	- 0.15	-		0.15
	3.3 kHz	ETC5040	- 0.35	-		0.15
		ETC5040A	- 0.35	-		0.125
3.4 kHz	-	- 0.70	-	- 0.1		
4.0 kHz	-	- 15	-	- 14		
4.6 kHz and Above	-	-	-	- 32		
DA <sub>x</sub>	Absolute Delay at 1 kHz	-	-	230	μs	
	Differential Envelope Delay from 1 kHz to 2.6 kHz	-	-	60	μs	
DP <sub>x</sub> 1	Single Frequency Distortion Products	-	-	- 48	dB	
DP <sub>x</sub> 2	Distortion at Maximum Signal Level 1.6 Vrms, 1 kHz Signal applied to VF <sub>x</sub> I+, Gain = 20 dB, R <sub>L</sub> = 10 kΩ	-	-	- 45	dB	
NC <sub>x</sub> 1	Total C Message Noise at VF <sub>x</sub> O	-	-	6	dBrcO	
NC <sub>x</sub> 2	Total C Message Noise at VF <sub>x</sub> O Gain setting Op Amp at 20 dB, non Inverting. Note 3, 0 °C ≤ T <sub>A</sub> ≤ + 70 °C	-	-	7	dBrcO	
GA <sub>x</sub> T	Temperature Coefficient of 1 kHz Gain	-	0.0004	-	dB/°C	
GA <sub>x</sub> S	Supply Voltage Coefficient of 1 kHz Gain	-	0.01	-	dB/V	
CT <sub>RX</sub>	Crosstalk, Receive to Transmit 20 Log $\frac{VF_xO}{VF_{R0}}$ Receive Filter Output = 2.2 Vrms, VF <sub>x</sub> I+ = 0 Vrms, f = 0.2 kHz to 3.4 kHz, Measure VF <sub>x</sub> O	-	-	- 70	dB	
GR <sub>x</sub> L	Gaintracking Relative to GA <sub>x</sub>	-	-	-	dB	
	Output Level = + 3 dBm0	- 0.1	-	0.1		
	+ 2 dBm0 to - 40 dBm0	- 0.05	-	0.05		
	- 40 dBm0 to - 55 dBm0	- 0.1	-	0.1		

## AC ELECTRICAL CHARACTERISTICS (continued)

RECEIVE FILTER (unless otherwise noted, the receive filter is preceded by a sin x/x filter within an input signal level of 1.54 Vrms).

Symbol	Parameter	Min.	Typ.	Max.	Unit	
IB <sub>R</sub>	Input Leakage Current, VF <sub>RI</sub> (- 3.2 V ≤ VIN ≤ 3.2 V)	- 100	-	100	nA	
RI <sub>R</sub>	Input Resistance, VF <sub>RI</sub>	10	-	-	MΩ	
RO <sub>R</sub>	Output Resistance, VF <sub>RO</sub>	-	-	4	Ω	
CL <sub>R</sub>	Load Capacitance, VF <sub>RO</sub>	-	-	100	pF	
RL <sub>R</sub>	Load Resistance, VF <sub>RO</sub>	10	-	-	kΩ	
PSRR3	Power Supply Rejection of V <sub>CC</sub> or V <sub>BB</sub> (VF <sub>RO</sub> VF <sub>RI</sub> connected to G <sub>ND</sub> A, f = 1 kHz)	35	-	-	dB	
VOS <sub>RO</sub>	Output DC Offset, VF <sub>RO</sub> (VF <sub>RI</sub> connected to G <sub>ND</sub> A)	- 200	-	+ 200	mV	
GA <sub>R</sub>	Absolute Gain (f = 1 kHz)	ETC5040	- 0.15	-	0.15	dB
		ETC5040A	- 0.125	-	0.125	
GR <sub>R</sub>	Gain Relative to Gain at 1 kHz below 300 Hz 300 Hz to 3.0 kHz	ETC5040	-	-	0.15	dB
		ETC5040A	- 0.15	-	0.15	
		ETC5040A	- 0.175	-	0.175	
		ETC5040A	- 0.35	-	0.03	
		ETC5040A	- 0.70	-	- 0.1	
DA <sub>R</sub>	Absolute Delay at 1 kHz	-	-	100	μs	
DD <sub>R</sub>	Differential Envelope Delay 1 kHz to 2.6 kHz	-	-	100	μs	
DP <sub>R1</sub>	Single Frequency Distortion Products (f = 1 kHz)	-	-	- 48	dB	
DP <sub>R2</sub>	Distortion at Maximum Signal Level 2.2 Vrms Input to Sin x/x Filter, f = 1 kHz, RL = 10 kΩ	-	-	- 45	dB	
NC <sub>R</sub>	Total C-message Noise at VF <sub>RO</sub>	-	-	6	dB <sub>rnc0</sub>	
GA <sub>RT</sub>	Temperature Coefficient of 1 kHz Gain	-	0.0004	-	dB/°C	
GA <sub>RS</sub>	Supply Voltage Coefficient of 1 kHz Gain	-	0.01	-	dB/V	
CT <sub>XR</sub>	Crosstalk, Transmit to Receive 20 log $\frac{VF_{RO}}{VF_{XO}}$ (transmit filter output = 2.2 Vrms, VF <sub>RI</sub> = 0 Vrms, f = 0.3 kHz to 3.4 kHz, measure VF <sub>RO</sub> )	-	- 80	- 70	dB	
GR <sub>RL</sub>	Gaintraking Relative to GA <sub>P</sub> Output Level = 3 dBm <sub>0</sub> + 2 dBm <sub>0</sub> to - 40 dBm <sub>0</sub> - 40 dBm <sub>0</sub> to 55 dBm <sub>0</sub>	- 0.1	-	0.1	dB	
		- 0.05	-	0.05		
		- 0.1	-	0.1		

## AC ELECTRICAL CHARACTERISTICS (continued)

## RECEIVE OUTPUT POWER AMPLIFIER

Symbol	Parameter	Min.	Typ.	Max.	Unit
IBP	Input Leakage Current. PWRI ( $-3.2 \text{ V} \leq V_{IN} \leq 3.2 \text{ V}$ )	0.1	—	4	$\mu\text{A}$
RIP	Input Resistance, PWRI	10	—	—	$\text{M}\Omega$
ROP1	Output Resistance, PWRO <sup>+</sup> , PWRO <sup>-</sup> (amplifier active)	—	1	—	$\Omega$
CLP	Load Capacitance, PWRO <sup>-</sup> , PWRO <sup>-</sup>	—	—	500	$\text{pF}$
GA <sub>P</sub> <sup>+</sup>	Gain, PWRI to PWRO <sup>+</sup> ( $R_L = 600 \Omega$ connected between)	—	1	—	V/V
GA <sub>P</sub> <sup>-</sup>	Gain, PWRI to PWRO <sup>-</sup> PWRO <sup>+</sup> and PWRO <sup>-</sup> . Input, Level = 0 dBmO (note 4)	—	-1	—	V/V
GR <sub>pL</sub>	Gaintraking Relative to OdBmO Output Level $V = 2.05 \text{ Vrms}$ , $R_L = 600 \Omega$ (notes 4, 5) $V = 1.75 \text{ Vrms}$ , $R_L = 300 \Omega$ (notes 4, 5)	-0.1 -0.1	— —	0.1 0.1	dB
S/D <sub>p</sub>	Signal / Distortion $V = 2.05 \text{ Vrms}$ , $R_L = 600 \Omega$ (notes 4, 5) $V = 1.75 \text{ Vrms}$ , $R_L = 300 \Omega$ (notes 4, 5)	— —	— —	-45 -45	dB
VOSP	Output DC Offset, PWRO <sup>+</sup> , PWRO <sup>-</sup> (PWRI connected to GNDA)	-50	—	50	mV
PSRR5	Power Supply Rejection of $V_{CC}$ or $V_{BB}$ (PWRI connected to GNDA)	45	—	—	dB

- Notes :
1. Maximum power consumption depend on the load impedance connected to the power amplifier. The specification listed assumes 0 dBm is delivered to 600  $\Omega$  connected from PWRO<sup>+</sup> PWRO<sup>-</sup>.
  2. Transmit filter input op amp set to the non inverting unity gain mode, with  $V_{F,1+} = 1.1 \text{ Vrms}$ , unless otherwise noted.
  3. The 0 dBm level for the filter is assumed to be 1.54 Vrms measured at the output of the XMT or RCV filter.
  4. The 0 dBmO level for the power amplifiers is load dependent. For  $R_L = -600 \Omega$  to GNDA, the 0 dBmO level is 1.43 Vrms measured at the amplifier output. For  $R_L = 300 \Omega$  the 0dBmO level is 1.22 Vrms.
  5.  $V_{FRO}$  connected to PWRI, input signal applied to  $V_{FRI}$ .

## TYPICAL PERFORMANCE CHARACTERISTICS

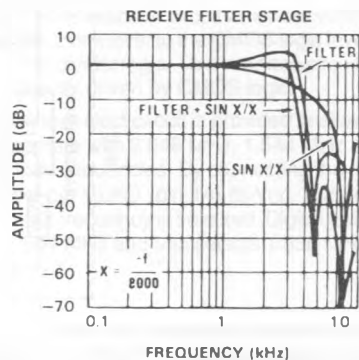
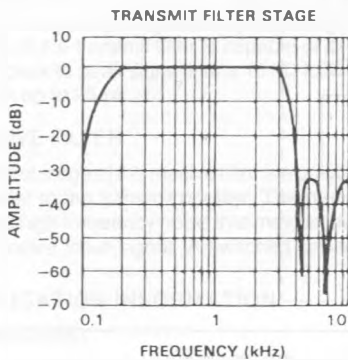
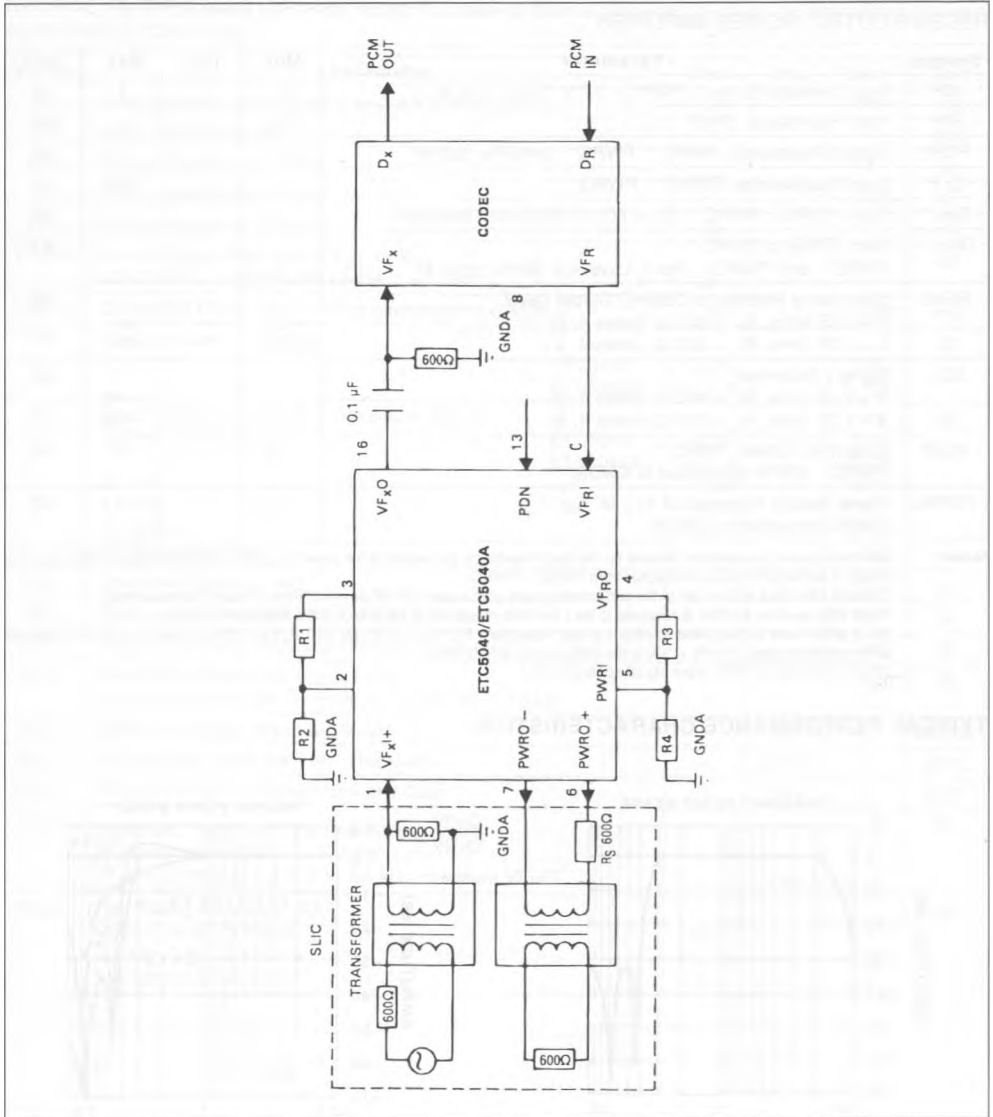


Figure 2 : Interface Circuit for CODEC.



Notes : 1. Transmit voltage gain =  $\frac{R1 + R2}{R2} \times \sqrt{2}$  (the filter itself introduces a 3 dB gain) ( $R1 + R2 > 10 \text{ k}\Omega$ ).

2. Receive gain =  $\frac{R4}{R3 + R4}$   
 ( $R3 + R4 > 10 \text{ k}\Omega$ )

3. In the configuration shown, the receive filter power amplifiers will drive a 600 Ω T or R termination to a signal level of 8.5 dBm. An alternative arrangement using a transformer winding ratio equivalent to 1.414:1 and 300 Ω resistor  $R_s$  will provide a maximum signal level of 10 dBm across 600 Ω termination impedance.



## FUNCTIONAL DESCRIPTION

ETC 5040A monolithic filter contains four main sections ; Transmit Filter, Receive Filter, Receive Filter Power Amplifier, and Frequency Divider/Select Logic (figure 1). A brief description of the circuit operation for each section is provided below.

### TRANSMIT FILTER

The input stage of the transmit filter is a CMOS operational amplifier which provides an input resistance greater than 10 M $\Omega$ , a voltage gain of greater than 10.000 low power consumption (less than 3 mW), high power supply rejection, and is capable of driving a 10 k $\Omega$  load parallel with up to 25 pF. The inputs and output of the amplifier are accessible for added flexibility. Non-inverting mode, inverting mode, or differential amplifier mode operation can be implemented with external resistors. It can also be connected to provide a gain of up to 20 dB without degrading the overall filter performance.

The input stage is followed by a prefilter which is two-pole RC active low pass filter designed to attenuate high frequency noise before the input signal enters the switched-capacitor high pass and low pass filters.

A high pass filter is provided to reject 200 Hz or lower noise which may exist in the signal path. The low pass portion of the switched-capacitor filter provides stopband attenuation which exceeds the D3 and D4 specifications as well as the CCITT G712 recommendations.

The output of the transmit filter, the postfilter, is also a two-pole RC active low pass filter which attenuates clock frequency noise by at least 40 dB. The output of the transmit filter is capable of driving a  $\pm$  3.2 V peak to peak signal into a 10 k $\Omega$  load in parallel with up to 25 pF.

### RECEIVE FILTER

The input stage of the receive filter is a prefilter which is similar to the transmit prefilter. The prefilter attenuates high frequency noise that may be present on the receive input signal. A switched capacitor low

pass filter follows the prefilter to provide the necessary passband flatness, stopband rejection and sin x/x gain correction. A postfilter which is similar to the transmit postfilter follows the low pass stage. It attenuates clock frequency noise and provides a low output impedance capable of directly driving an electronic subscriber-line-interface circuit.

### RECEIVE FILTER POWER AMPLIFIERS

Two power amplifiers are also provided to interface to transformer coupled line circuits. These two amplifiers are driven by the output of the receive postfilter through gain setting resistors, R3, R4 (figure 2). The power amplifiers can be deactivated, when not required, by connecting the power amplifier input (pin 5) to the negative power supply V<sub>BB</sub>. This reduces the total filter power consumption by approximately 10 mW-20 mW depending on output signal amplitude.

### POWER DOWN CONTROL

A power down mode is also provided. A logic 1 power down command applied on the PDN pin (pin 13) will reduce the total filter power consumption to less than 1 mW and turn the power amplifier outputs into high impedance state.

### FREQUENCY DIVIDER AND SELECT LOGIC CIRCUIT

This circuit divides the external clock frequency down to the switching frequency of the low pass switched capacitor filters. The divider also contains a TTL-CMOS interface circuit which converts the external TTL clock level to the CMOS logic level required for the divider logic. This interface circuit can also be directly driven by CMOS logic.

A frequency select circuit is provided to allow the filter to operate with 2.048 MHz, 1.544 MHz or 1.536 MHz clock frequencies. By connecting the frequency select pin CLK0 (pin 14) to V<sub>CC</sub>, a 2.048 MHz clock input frequency is selected. Digital ground selects 1.544 MHz and V<sub>BB</sub> selects 1.536 MHz.

## APPLICATION INFORMATION

### GAIN ADJUST

Figure 2 shows the signal path interconnections between the ETC5040/ETC5040A and single-channel CODEC. The transmit RC coupling components have been chosen both for minimum passband droop and to present the correct impedance to the CODEC during sampling.

Optimum noise and distortion performance will be obtained from the ETC5040/ETC5040A filter when operated with system peak overload voltages of  $\pm$  2.5 V to  $\pm$  3.2 V at VF<sub>XO</sub> and VF<sub>RO</sub>. When interfacing to a PCM CODEC with a peak overload voltage outside this range, further gain or attenuation may be required.