

# Service Manual

*Simplified*



Cordless Phone

Telephone Equipment

## KX-TC418RU-B

**Black Version**

(for Russia)

Please file and use this manual with the original Service Manual for model KX-T4046AL order No. KM49604041C3.  
This Service Manual indicates the main differences between: Original KX-T4046AL and KX-TC418RU-B.

**SPECIFICATIONS \ ТЕХНИЧЕСКИЕ ХАРАКТЕРИСТИКИ**  
**CPU OPERATION \ РАБОТА МИКРОПРОЦЕССОРА**  
**SCHEMATIC DIAGRAM (BASE UNIT) \ ПРИНЦИПИАЛЬНАЯ СХЕМА (БАЗОВЫЙ БЛОК)**  
**CIRCUIT BOARD AND WIRING CONNECTION DIAGRAM (KX-T4046ALR) \ МОНТАЖНАЯ ПЛАТА И СХЕМА СОЕДИНЕНИЯ (KX-T4046ALR)**  
**SCHEMATIC DIAGRAM (KX-T4046ALR) \ ПРИНЦИПИАЛЬНАЯ СХЕМА (KX-T4046ALR)**  
**CABINET AND ELECTRICAL PARTS LOCATION (KX-T4046ALH) \ РАСПОЛОЖЕНИЕ ЧАСТЕЙ КОРПУСА И ЭЛЕКТРИЧЕСКИХ ЧАСТЕЙ (KX-T4046ALH)**  
**CABINET AND ELECTRICAL PARTS LOCATION (KX-T4046ALR) \ РАСПОЛОЖЕНИЕ ЧАСТЕЙ КОРПУСА И ЭЛЕКТРИЧЕСКИХ ЧАСТЕЙ (KX-T4046ALR)**  
**ACCESSORIES AND PACKING MATERIALS (KX-T4046ALR) \ ПРИНАДЛЕЖНОСТИ И УПАКОВОЧНЫЕ МАТЕРИАЛЫ (KX-T4046ALR)**  
**PARTS COMPARISON TABLE (Replacement parts list) \ СРАВНИТЕЛЬНАЯ ТАБЛИЦА ЧАСТЕЙ (Список запасных частей)**

# Panasonic

©1998 Kyushu Matsushita Electric Co., Ltd.  
All rights reserved. Unauthorized copying and distribution is a violation of law.

# KX-TC418RU-B

## ■ SPECIFICATIONS (Change from original cover page)

### General

Modulation:	FM, 5 kHz Deviation	Pause:	3.5 seconds per pause
Frequency Stability:	±2.5 kHz	Memory Capacity:	10 telephone numbers, up to 16 digits per station
Dial Type:	Tone (DTMF)/Pulse		
Redial:	Last dialed number each time the Redial button is pressed		

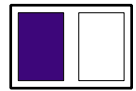
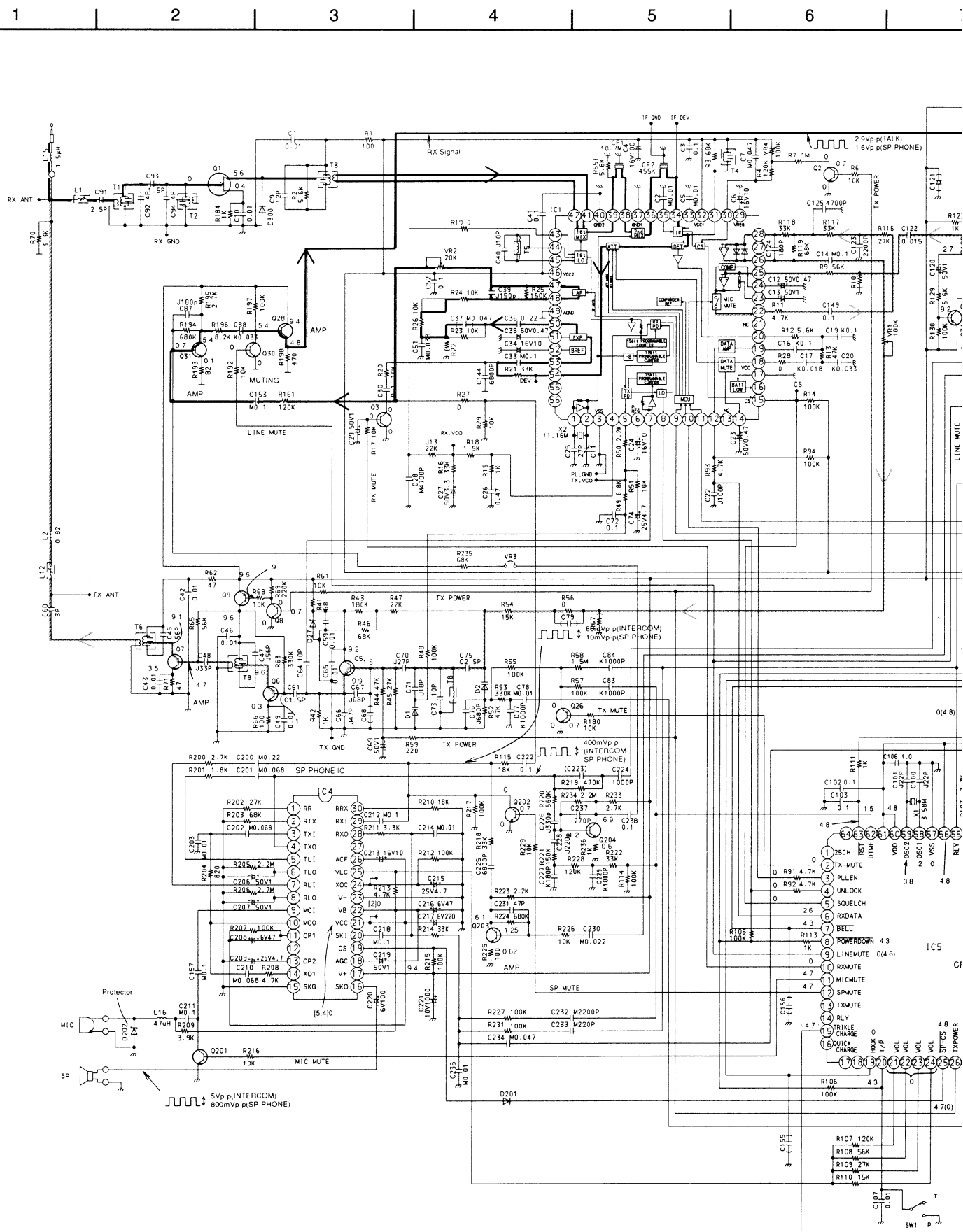
Addition

## ■ CPU OPERATION (Change from original page 51)

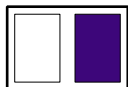
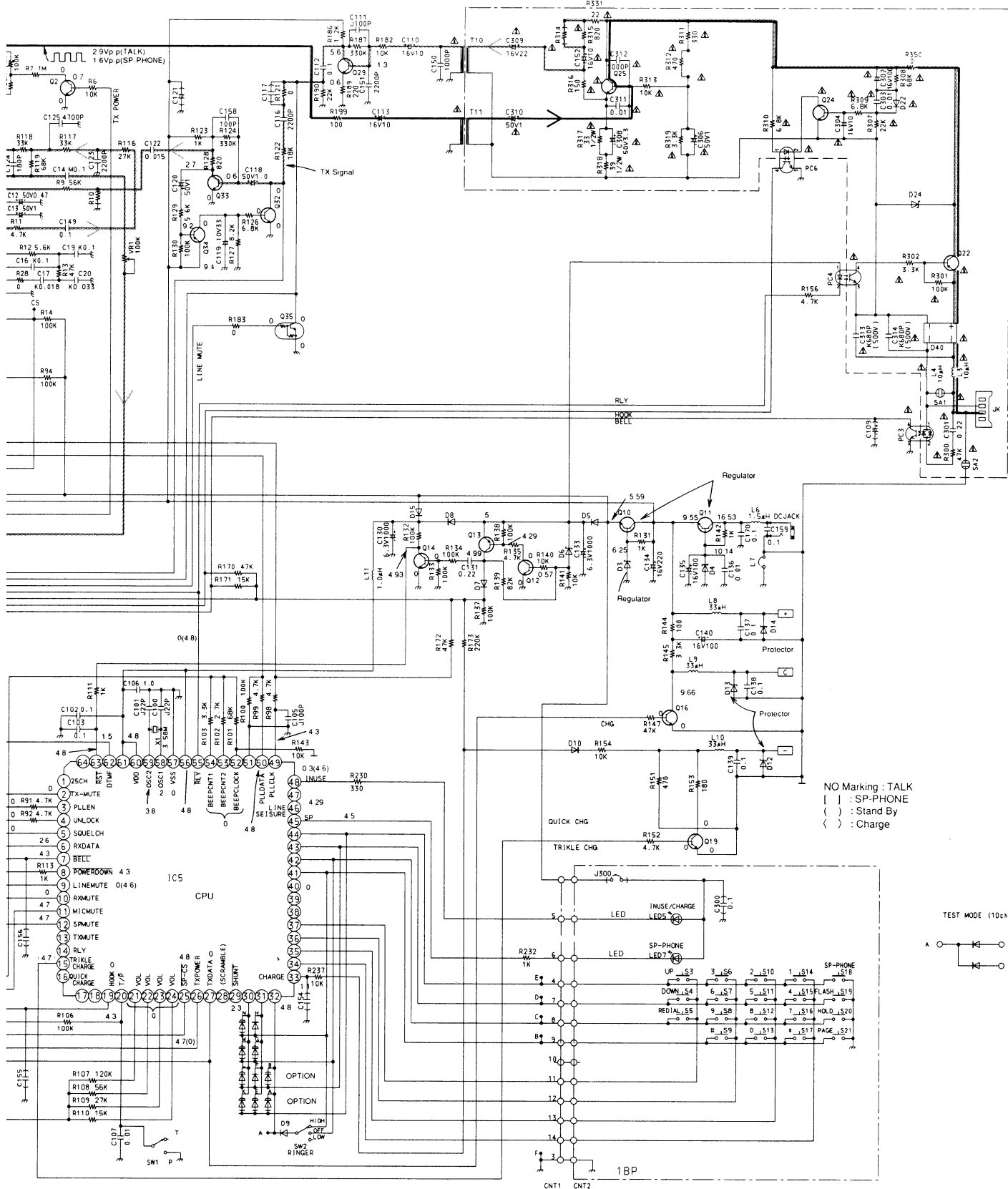
CPU Terminals	23 TX DATA	25 RX POW	24 TX POW	41 BEEP	15 TALKLED
STANDBY	L	Intermittently H or L	H	H	H
TALK	L	L	L	H	L
4026ALH→4026ALR Ring	—	L	L	L	FLASHING
4026ALH→4026ALR Paging	—	L	L	L	H
CHARGE	L	H	H	H	H
During (TALK)	—	L	L	H	L
4026ALR PULSE DIAL	DATA	L	L	H	FLASHING
4026ALR TONE DIAL	DATA	L	L	H	L
4026ALR OFF MODE	L	H	—	L	H

Addition

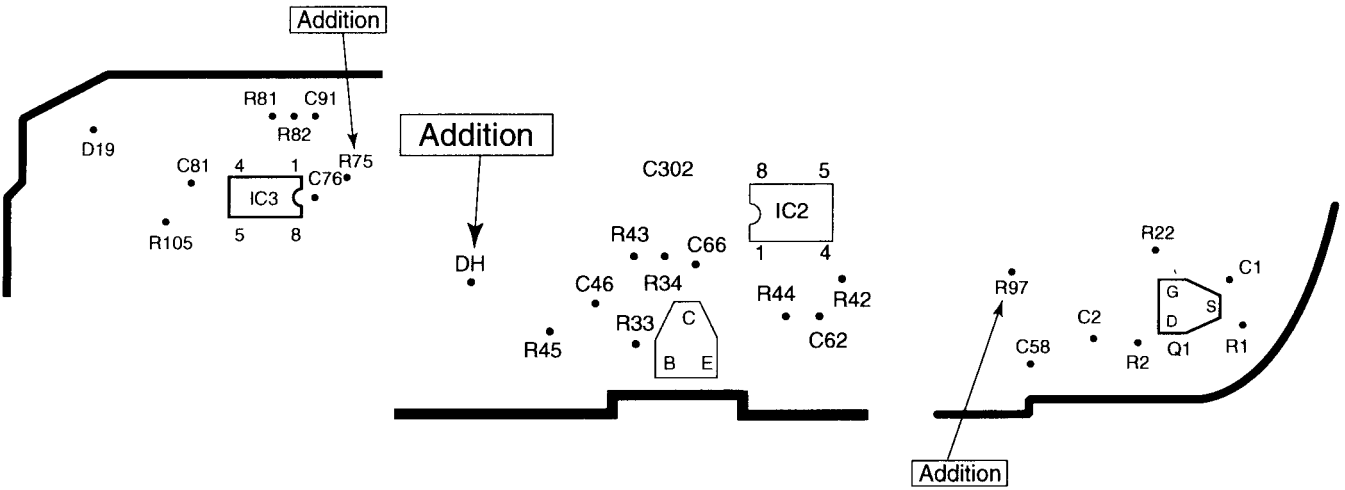
SCHEMATIC DIAGRAM (BASE UNIT) [C]



(BASE UNIT) [Change from original pages 17, 18]

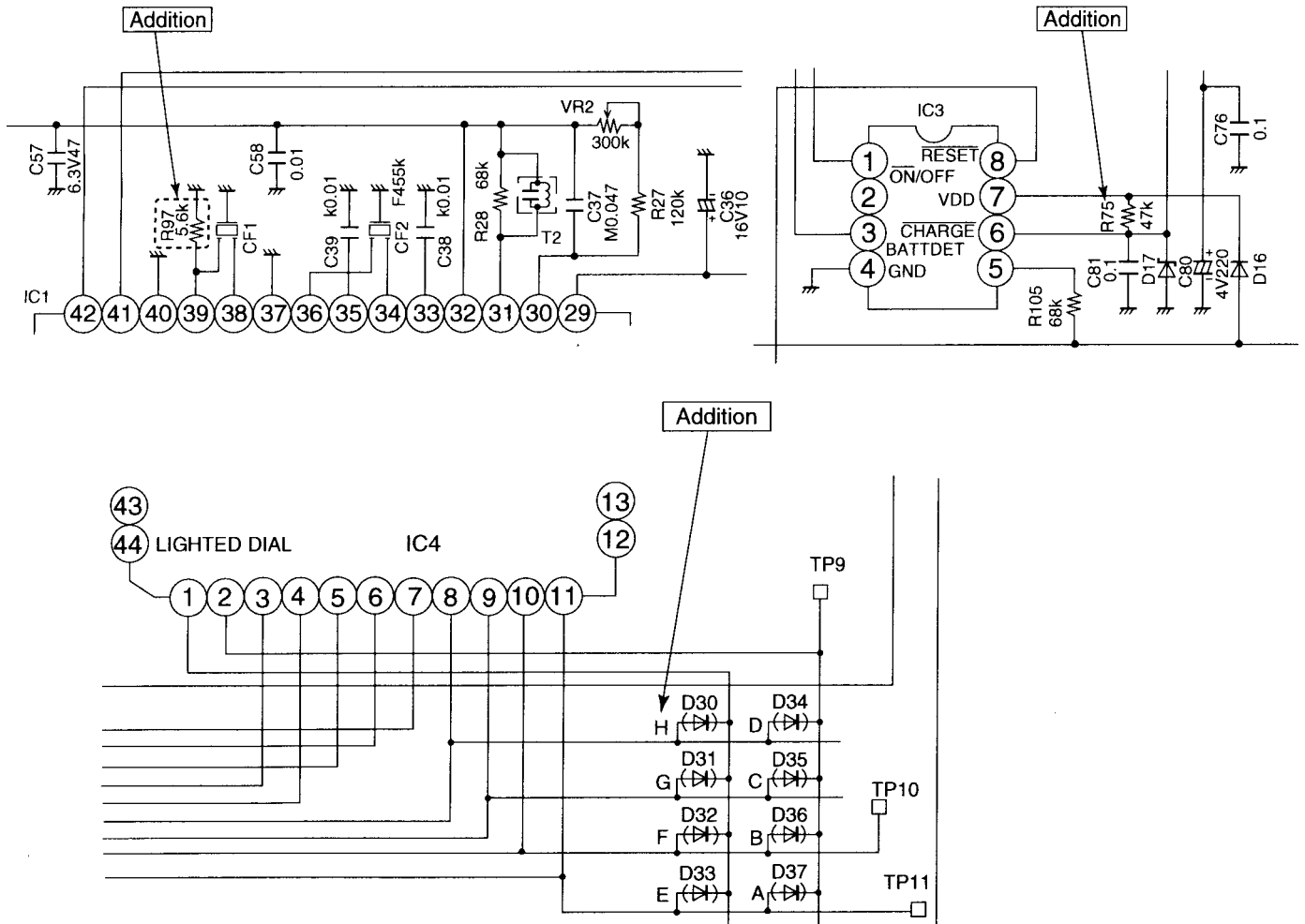


**■ CIRCUIT BOARD AND WIRING CONNECTION DIAGRAM  
(KX-T4046ALR) [Change from original pages 25, 26]**



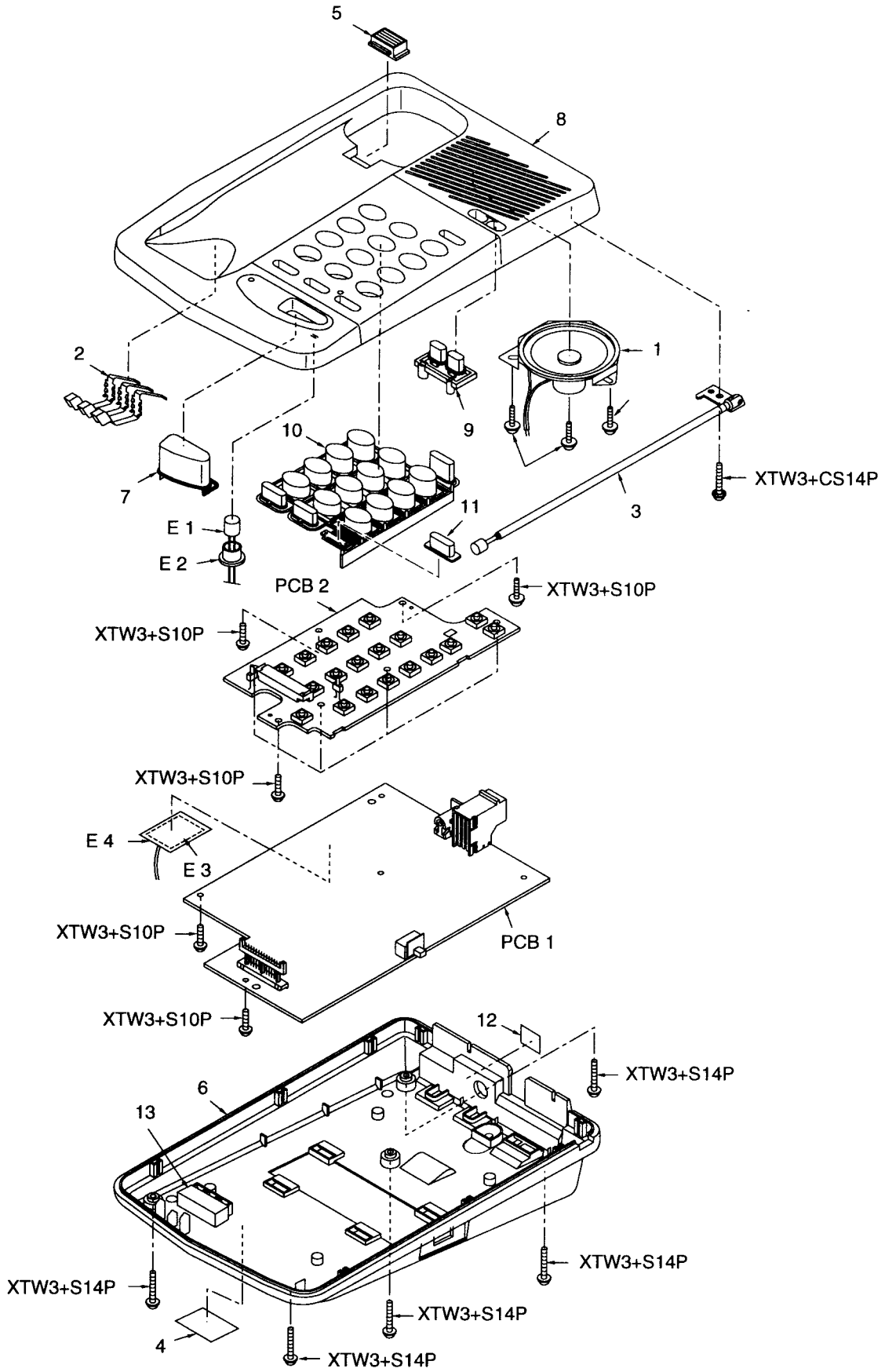
(Model KX-TC418RU-B)

**■ SCHEMATIC DIAGRAM (KX-T4046ALR) [Change from original pages 27, 28]**



(Model KX-TC418RU-B)

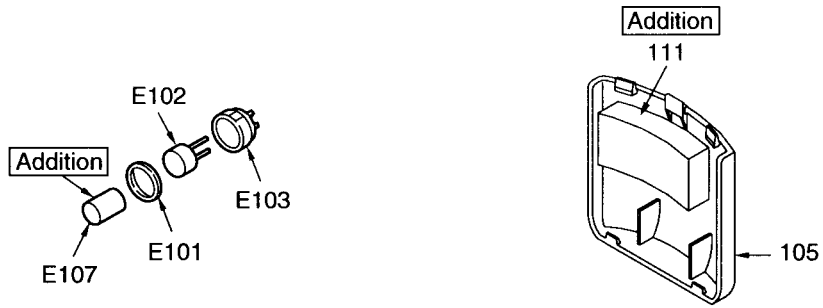
■ CABINET AND ELECTRICAL PARTS LOCATION (KX-T4046ALH) [Change from original page 58]



( Model KX-TC418RU-B )

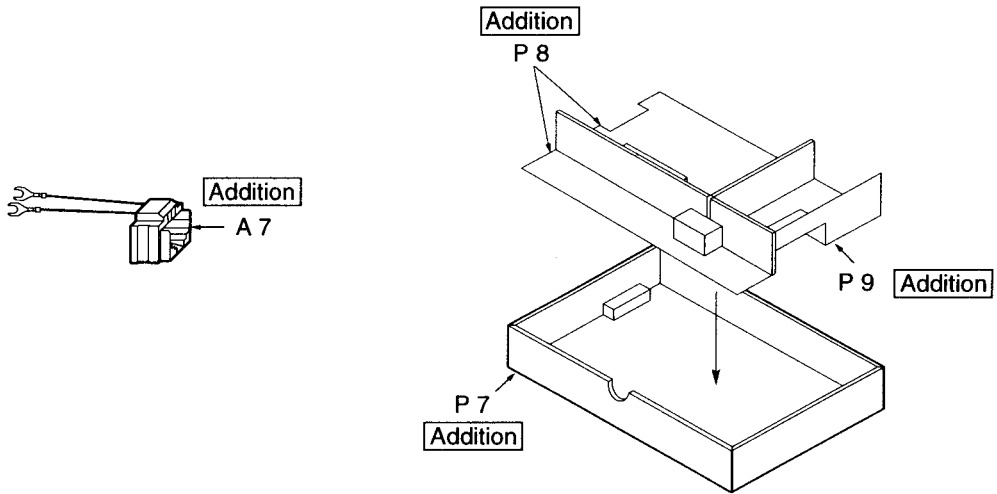
**KX-TC418RU-B**

**■ CABINET AND ELECTRICAL PARTS LOCATION (KX-T4046ALR) [Change from original page 59]**



( Model KX-TC418RU-B )

**■ ACCESSORIES AND PACKING MATERIALS (KX-T4046ALR) [Change from original page 60]**



( Model KX-TC418RU-B )

■ PARTS COMPARISON TABLE (Change from original pages 61~70)

REPLACEMENT PARTS LIST		
Base Unit		
Notes:		
1. RTL (Retention Time Limited) The marking (RTL) indicates that the Retention Time is limited for this item. After the discontinuation of this assembly in production, the item will continue to be available for a specific period of time. The retention period of availability is dependent on the type of assembly, and in accordance with the laws governing part and product retention. After the end of this period, the assembly will no longer be available.		
2. Important safety notice. Components identified by the $\Delta$ mark special characteristics important for safety. When replacing any of these components, use only manufacturer's specified parts.		
3. The S mark indicates service standard parts and may differ from production parts.		
4. RESISTORS & CAPACITORS Unless otherwise specified. All resistors are in ohms ( ) K=1000 , M=1000K All capacitors are in MICRO FARADS ( $\mu$ F ) P= $\mu$ F *Type & Wattage of Resistor		
Type		
ERC:Solid	ERX:Metal Film	PQ4R:Carbon
ERD:Carbon	ERG:Metal Oxide	ERS:Fusible Resistor
PQRD:Carbon	ER0:Metal Film	ERF:Cement Resistor
Wattage		
10,16:1/8W	14,25:1/4W	12:1/2W
1:1W	2:2W	3:3W
*Type & Voltage of Capacitor		
Type		
ECFD:Semi-Conductor	ECCD,ECKD,ECBT,PQBC : Ceramic	
ECQS:Styrol	ECQE,ECQV,ECQG : Polyester	
PQCUV:Chip	ECEA,ECSZ : Electrolytic	
ECQMS:Mica	ECQP : Polypropylene	
Voltage		
ECQ Type	ECQG	ECSZ Type
	ECQV Type	Others
1H: 50V	05: 50V	0F:3.15V
2A:100V	1:100V	0J :6.3V
2E:250V	2:200V	1V :35V
2H:500V		1A :10V
		1C :16V
		1E,25:25V
		1J :63V
		2A :100V

Ref. No.	Part No.	Part Name & Description	Pcs/Set
CABINET PARTS			
1	PQAS5P11Z	SPEAKER	1
2	PQJT10100Z	BATTERY TERMINAL	3
3	XEAPQK170D	ANTENNA	1
4	PQGT13045Z	NAME PLATE	1
5	PQKE46Y3	HANGER	1
6	PQYF10086G2	CABINET PLATE	1
7	PQBC10187Z2	BUTTON, LOCATOR/INTERCOM	1
8	PQKM10223M4	CABINET BODY	1
9	PQBX10243Z2	BUTTON, VOLUME	1
10	PQBX10244Y2	BUTTON, 12 KEY	1
11	PQBC10188Z2	BUTTON, SPEAKER PHONE	1
12	PQQT11502Z	ADAPTOR LABEL	1

Ref. No.	Part No.	Part Name & Description	Pcs/Set
MAIN PRINTED CIRCUIT BOARD PARTS			
PCB1	PQWPC418RUBH	MAIN, P.C.BOARD ASS'Y (RTL) $\Delta$	1
(ICS)			
IC1	AN6185NFA	IC	1
IC4	PQVISC77655V	IC	1
IC5	MN150832KKAA	IC	1
(TRANSISTORS)			
Q 1	2SK543	TRANSISTOR(SI)	1
Q 2	2SD1819A	TRANSISTOR(SI) [or 2SC4081]	1
Q 3	2SD1819A	TRANSISTOR(SI) [or 2SC4081]	1
Q 5	2SC2295	TRANSISTOR(SI)	S 1
Q 6	PQVTMSC2295C	TRANSISTOR(SI)	1
Q 7	PQVTMSC2295C	TRANSISTOR(SI)	1
Q 8	2SD1819A	TRANSISTOR(SI) [or 2SC4081]	1
Q 9	2SB1322	TRANSISTOR(SI)	1
Q10	2SD1991A	TRANSISTOR(SI)	1
Q11	2SD2136	TRANSISTOR(SI)	1
Q12	2SD1819A	TRANSISTOR(SI) [or 2SC4081]	1
Q13	2SB1218A	TRANSISTOR(SI) [or 2SA1576]	1
Q14	2SD1819A	TRANSISTOR(SI) [or 2SC4081]	1
Q16	2SC1740S	TRANSISTOR(SI)	1
		[or 2SC3311 or 2SC3330]	
Q19	2SC1740S	TRANSISTOR(SI)	1
		[or 2SC3311 or 2SC3330]	
Q22	2SA1776P	TRANSISTOR(SI) [or 2SA1625]	1
Q24	2SC1740S	TRANSISTOR(SI)	1
		[or 2SC3311 or 2SC3330]	
Q25	PQVTKSD261CY	TRANSISTOR(SI) [or 2SC2120]	1
Q26	2SD1819A	TRANSISTOR(SI) [or 2SC4081]	1
Q28	2SD1819A	TRANSISTOR(SI) [or 2SC4081]	1
Q29	2SD1819A	TRANSISTOR(SI) [or 2SC4081]	1
Q30	2SD1819A	TRANSISTOR(SI) [or 2SC4081]	1
Q31	2SD1819A	TRANSISTOR(SI) [or 2SC4081]	1
Q32	2SD1819A	TRANSISTOR(SI) [or 2SC4081]	1
Q33	2SD1819A	TRANSISTOR(SI) [or 2SC4081]	1
Q34	2SB1218A	TRANSISTOR(SI) [or 2SA1576]	1
Q35	PQVTFB1A4M	TRANSISTOR(SI)	1
Q201	2SD1819A	TRANSISTOR(SI) [or 2SC4081]	1
Q202	2SD1819A	TRANSISTOR(SI) [or 2SC4081]	1
Q203	2SD1819A	TRANSISTOR(SI) [or 2SC4081]	1
Q204	2SD1819A	TRANSISTOR(SI) [or 2SC4081]	1
(DIODES)			
D 1	MA840BTAKU	DIODE(SI)	S 1
D 2	MA840ATAKU	DIODE(SI)	1
D 3	MA4062	DIODE(SI)	S 1
D 4	MA4100	DIODE(SI)	S 1
D 5	MA700A	DIODE(SI)	S 1
D 6	MA4047	DIODE(SI)	1



**KX-TC418RU-B**

Ref. No.	Part No.	Part Name & Description	Pcs/Set	Ref. No.	Part No.	Part Name & Description	Pcs/Set
D 7	1SS120	DIODE(SI)	S 1			(CONNECTOR)	
D 8	1SS120	DIODE(SI)	S 1				
D 9	1SS120	DIODE(SI)	S 1	CN1	PQJP14A55Z	CONNECTOR, 14 PIN	1
D10	1SS120	DIODE(SI)	S 1				
D12	MA4300	DIODE(SI)	S 1			(JACK)	
D13	MA4300	DIODE(SI)	S 1				
D14	MA4300	DIODE(SI)	S 1				
D15	1SS120	DIODE(SI)	S 1	JJ1	PQJJ2HA2Z	JACK, TELEPHONE LINE, DC IN	1
D22	1SS120	DIODE(SI)	S 1				
D24	MA4300	DIODE(SI)	S 1				
D27	MA4091	DIODE(SI)	S 1				
D40	PQVDS1ZB40F1	DIODE(SI)	1			(VARIABLE RESISTORS)	
D201	1SS120	DIODE(SI)	S 1	VR1	EVNDXAA03B15	VARIABLE RESISTOR, 100k	1
D202	MA4300	DIODE(SI)	S 1	VR2	EVNDXAA03B24	VARIABLE RESISTOR, 20k	1
				VR4	EVNDXAA03B15	VARIABLE RESISTOR, 100k	1
D300	1SS314	DIODE(SI)	1				
DF	MA110	DIODE(SI)	1				
DH	MA110	DIODE(SI)	1			(CRYSTALS)	
				X1	PQVCJ3581N9Z	CRYSTAL OSCILLATOR	S 1
				X2	PQVCK1116N3Z	VARIABLE CAPACITOR	1
		(COILS AND TRNSFORMERS)					
L1	PQLA7N3	COIL	1				
L2	PQLQZKR82M	COIL	1				
L3	ELEPK100KA	COIL	S 1			(CERAMIC FILTERS)	
L6	PQLQZM1R5K	COIL	S 1				
L8	PQLQZM330K	COIL	1	CF1	PQVFSFE107MJ	CERAMIC FILTER	1
L9	PQLQZM330K	COIL	1	CF2	PQVFCFW455E	CERAMIC FILTER	S 1
L10	PQLQZM330K	COIL	1				
L11	PQLQZM1R0K	COIL	1				
L12	PQLA7N7	COIL	1				
L15	PQLQZK1R5K	COIL	1			(SWITCH)	
L16	PQLQZM470K	COIL	1				
T1	PQLA7A9	COIL	1	SW2	PQSS3A17W	SWITCH, RINGER SELECTOR	1
T2	PQLA7A9	COIL	1	SW1	PQSS2A27W	SWITCH, DIALING MODE SELECTOR	1
T3	PQLA7A7	COIL	S 1				
T4	PQLI2B201	I.F. TRANSFORMER	1				
T5	PQL04A1	COIL	1			(OTHERS)	
T6	PQLA7A19	COIL	1				
T8	PQLA7A27	COIL	1	SA1	PQVDDSS301L	VARIATOR	1
T9	PQLA7A19	COIL	1	SA2	PQVDDSA242M	VARIATOR	1
T10	PQLT8F11A	TRANSFORMER	△ 1	CT1	ECRLA030E53	TRIMMER CAPACITOR	S 1
T11	PQLT8F11A	TRANSFORMER	△ 1	E1	PQJM122Z	MICROPHONE	1
				E2	PQMG10004Z	RUBBER, MIC COVER	1
				E3	PQMC10226Z	SHIELD SHEET	1
				E4	PQHX10660Z	INSULATOR	1
		(PHOTO COUPLERS)					
PC3	PQVIPC814K	PHOTO ELECTRIC TRANSDUCER	△ S 1				
PC4	PQVITLP627	PHOTO ELECTRIC TRANSDUCER	△ S 1				
PC6	PQVIPC817CD	PHOTO ELECTRIC TRANSDUCER	△ S 1				

Ref. No.	Part No.	Value	Pcs/Set	Ref. No.	Part No.	Value	Pcs/Set
		(RESISTOR)					
R 1	ERJ3GEYJ101	100	1	R91	ERJ3GEYJ472	4.7k	1
R 2	ERJ3GEYJ562	5.6k	1	R92	ERJ3GEYJ472	4.7k	1
R 3	ERJ3GEYJ683	68k	1	R93	ERJ3GEYJ472	4.7k	1
R 4	PQ4R10XJ124	120k	1	R94	ERJ3GEYJ104	100k	1
R 5	Not Used			R95-97	Not Used		
R 6	ERDS2TJ103	10k	1	R98	ERJ3GEYJ472	4.7k	1
R 7	PQ4R10XJ105	1M	1	R99	ERJ3GEYJ472	4.7k	1
R 8	Not Used			R100	ERJ3GEYJ104	100k	1
R 9	ERJ3GEYJ563	56k	1	R101	ERJ3GEYJ683	68k	1
R11	PQ4R10XJ472	4.7k	1	R102	ERJ3GEYJ272	2.7k	1
R12	ERJ3GEYJ562	5.6k	1	R103	ERJ3GEYJ332	3.3k	1
R13	ERJ3GEYJ473	47k	1	R104	Not Used		
R14	ERJ3GEYJ104	100k	1	R105	PQ4R18XJ104	100k	1
R15	ERJ3GEYJ102	1k	1	R106	ERJ3GEYJ104	100k	1
R16	ERJ3GEYJ333	33k	1	R107	ERJ3GEYJ124	120k	1
R17	ERJ3GEYJ103	10k	1	R108	ERJ3GEYJ563	56k	1
R18	ERJ3GEYJ152	1.5k	1	R109	ERJ3GEYJ273	27k	1
R19	ERJ3GEY0R00	0	1	R110	ERJ3GEYJ153	15k	1
R20	ERJ3GEYJ103	10k	1	R111	ERJ3GEYJ102	1k	1
R21	ERJ3GEYJ333	33k	1	R112	Not Used		
R22	Not Used			R113	ERJ3GEYJ102	1k	1
R23	ERJ3GEYJ103	10k	1	R114	ERJ3GEYJ104	100k	1
R24	ERJ3GEYJ103	10k	1	R115	ERJ3GEYJ273	27k	1
R25	ERJ3GEYJ154	150k	1	R116	PQ4R10XJ273	27k	1
R26	ERJ3GEYJ103	10k	1	R117	ERJ3GEYJ333	33k	1
R27	ERJ3GEY0R00	0	1	R118	ERJ3GEYJ333	33k	1
R28	ERJ3GEY0R00	0	1	R119	ERJ3GEYJ683	68k	1
R29	PQ4R10XJ103	10k	1	R121	ERJ3GEY0R00	0	1
R41	ERJ3GEYJ680	68	1	R122	ERJ3GEYJ183	18k	1
R42	ERJ3GEYJ102	1k	1	R123	ERJ3GEYJ102	1k	1
R43	ERJ3GEYJ184	180k	1	R124	ERJ3GEYJ334	330k	1
R44	ERJ3GEYJ473	47k	1	R125	Not Used		
R45	ERJ3GEYJ273	27k	1	R126	ERJ3GEYJ682	6.8k	1
R46	ERJ3GEYJ683	68k	1	R127	ERJ3GEYJ822	8.2k	1
R47	ERJ3GEYJ223	22k	1	R128	ERJ3GEYJ821	820	1
R48	ERJ3GEYJ104	100k	1	R129	ERJ3GEYJ562	5.6k	1
R49	ERJ3GEYJ682	6.8k	1	R130	ERJ3GEYJ104	100k	1
R50	PQ4R10XJ222	2.2k	1	R131	PQ4R10XJ102	1k	1
R51	ERJ3GEYJ103	10k	1	R132	ERJ3GEYJ104	100k	1
R52	ERJ3GEYJ473	47k	1	R133	ERJ3GEYJ104	100k	1
R53	ERJ3GEYJ394	390k	1	R134	ERJ3GEYJ104	100k	1
R54	ERJ3GEYJ153	15k	1	R135	ERJ3GEYJ472	4.7k	1
R55	ERJ3GEYJ104	100k	1	R136	Not Used		
R56	ERJ3GEY0R00	0	1	R137	ERJ3GEYJ104	100k	1
R57	ERJ3GEYJ104	100k	1	R138	ERJ3GEYJ104	100k	1
R58	ERJ3GEYJ155	1.5M	1	R139	ERJ3GEYJ823	82k	1
R59	ERJ3GEYJ221	220	1	R140	ERJ3GEYJ103	10k	1
R61	ERJ3GEYJ103	10k	1	R141	ERJ3GEYJ103	10k	1
R62	ERJ3GEYJ470	47	1	R142	ERDS2TJ102	1k	1
R63	ERJ3GEYJ334	330k	1	R143	ERJ3GEYJ103	10k	1
R64	Not Used			R144	ERDS2TJ101	100	1
R65	ERJ3GEYJ563	56k	1	R145	ERDS2TJ332	3.3k	1
R66	ERJ3GEYJ101	100	1	R146	Not Used		
R67	Not Used			R147	ERJ3GEYJ473	47k	1
R68	ERJ3GEYJ103	10k	1	R151	ERDS2TJ471	470	1
R69	ERJ3GEYJ224	220k	1	R152	ERDS2TJ472	4.7k	1
R70	ERJ3GEYJ332	3.3k	1	R153	ERDS2TJ181	180	1
R71	ERJ3GEYJ470	47	1	R154	ERDS2TJ103	10k	1
				R155	Not Used		
				R156	ERJ3GEYJ472	4.7k	1

**KX-TC418RU-B**

Ref. No.	Part No.	Value	Pcs/Set	Ref. No.	Part No.	Value	Pcs/Set
R161	ERJ3GEYJ124	120k	1	R234	ERJ3GEYJ225	2.2M	1
R170	ERJ3GEYJ473	47k	1	R235	ERJ3GEYJ683	68k	1
R171	ERJ3GEYJ153	15k	1	R236	PQ4R10XJ102	1k	1
R172	ERJ3GEYJ473	47k	1	R237	ERDS2TJ103	10k	1
R173	ERJ3GEYJ224	220k	1	R300	ERDS2TJ473	47k	1
R180	ERJ3GEYJ103	10k	1	R301	ERDS2TJ104	100k	1
R181	Not Used			R302	ERDS2TJ332	3.3k	1
R182	ERJ3GEYJ103	10k	1	R303 ~306	Not Used		
R183	ERJ3GEY0R00	0	1	R307	PQ4R10XJ223	22k	1
R184	ERJ3GEYJ102	1k	1	R308	PQ4R10XJ683	68k	1
R185	Not Used			R309	ERDS2TJ682	6.8k	1
R186	ERJ3GEYJ122	1.2k	1	R310	ERDS2TJ682	6.8k	1
R187	ERJ3GEYJ334	330k	1	R311	PQ4R10XJ331	330	1
R188	Not Used			R312	PQ4R10XJ471	470	1
R189	ERJ3GEYJ221	220	1	R313	PQ4R10XJ103	10k	1
R190	ERJ3GEYJ223	22k	1	R314	Not Used		
R191	Not Used			R315	PQ4R10XJ821	820	1
R192	ERJ3GEYJ103	10k	1	R316	PQ4R10XJ151	150	1
R193	ERJ3GEYJ820	82	1	R317	ERDS1TJ330	33	1
R194	ERJ3GEYJ684	680k	1	R318	ERDS1TJ390	39	1
R195	ERJ3GEYJ272	2.7k	1	R319	PQ4R10XJ332	3.3k	1
R196	ERJ3GEYJ822	8.2k	1	R331	PQ4R10XJ000	0	1
R197	ERJ3GEYJ104	100k	1	R551	ERJ3GEYJ562	5.6k	1
R198	ERJ3GEYJ471	470	1	J13	ERDS2TJ223	22k	1
R199	ERJ3GEYJ101	100	1	J12, 78	ERJ3GEY0R00	0	6
R200	ERJ3GEYJ272	2.2k	1	J79,			
R201	ERJ3GEYJ182	1.8k	1	J90~92			
R202	ERJ3GEYJ273	27k	1				
R203	ERJ3GEYJ683	68k	1				
R204	ERJ3GEYJ821	820	1				
R205	ERJ3GEYJ225	2.2M	1				
R206	ERJ3GEYJ275	2.7M	1				
R207	ERJ3GEYJ104	100k	1				
R208	ERJ3GEYJ472	4.7k	1				
R209	ERJ3GEYJ392	3.9k	1				
R210	ERJ3GEYJ183	18k	1				
R211	ERJ3GEYJ332	3.3k	1				
R212	ERJ3GEYJ104	100k	1				
R213	ERJ3GEYJ472	4.7k	1				
R214	ERJ3GEYJ333	33k	1				
R215	ERJ3GEYJ104	100k	1				
R216	ERJ3GEYJ103	10k	1				
R217	ERJ3GEYJ104	100k	1				
R218	ERJ3GEYJ333	33k	1				
R219	ERJ3GEYJ474	470k	1				
R220	ERJ3GEYJ564	560k	1				
R221	ERJ3GEYJ154	150k	1				
R222	ERJ3GEYJ333	33k	1				
R223	ERJ3GEYJ222	2.2k	1				
R224	ERJ3GEYJ684	680k	1				
R225	ERJ3GEYJ101	100	1				
R226	ERJ3GEYJ103	10k	1				
R227	ERJ3GEYJ104	100k	1				
R228	ERJ3GEYJ124	120k	1				
R229	ERJ3GEYJ103	10k	1				
R230	PQ4R10XJ331	330	1				
R231	ERJ3GEYJ104	100k	1				
R232	PQ4R10XJ102	1k	1				
R233	ERJ3GEYJ272	2.7k	1				
						(CAPACITORS)	
				C 1	ECUV1H103KBV	0.01	S 1
				C 2	PQCUV1H103KB	0.01	S 1
				C 3	ECUV1E104ZFB	0.1	S 1
				C 4	ECEA1CK101	100	S 1
				C 5	PQCUV1H103KB	0.01	S 1
				C 6	ECEA1CKS100	10	S 1
				C 7	ECUV1H473MDV	0.047	S 1
				C 9	ECUV1H120JCV	12p	S 1
				C10	ECUV1H103KBV	0.01	S 1
				C11	Not Used		
				C12	ECEA1HKS47	0.47	S 1
				C13	ECEA1HKS010	1	S 1
				C14	PQCUV1E104MD	0.1	S 1
				C15	Not Used		
				C16	PQCUV1E104MD	0.1	S 1

Ref. No.	Part No.	Value	Pcs/Set	Ref. No.	Part No.	Value	Pcs/Set
C17	PQCUV1H183KB	0.018	S 1	C86	Not Used		
C18	Not Used			C87	PQCUV1H181JC	180p	1
C19	PQCUV1E104MD	0.1	1	C88	PQCUV1H333JC	0.033	S 1
C20	PQCUV1H333JC	0.033	1	C91	ECUV1H2R5CCV	2.5p	1
C21	Not Used			C92	ECUV1H040CCV	4p	1
C22	PQCUV1H101JC	100p	1	C93	ECUV1H1R5CCV	1.5p	1
C23	ECEA1HKSR47	0.47	S 1	C94	ECUV1H040CCV	4p	1
C24	ECEA1CK100	10	S 1	C100	ECUV1H220JCV	22p	1
C25	ECUV1H270JCV	27p	1	C101	ECUV1H220JCV	22p	1
C26	PQCUV1C474ZF	0.47	S 1	C102	ECUV1E104ZFB	0.1	1
C27	ECEA1HKS3R3	3.3	S 1	C103	ECUV1E104ZFB	0.1	1
C28	ECUV1H472KBV	0.0047	S 1	C104	Not Used		
C29	ECEA1HKS010	1	S 1	C105	ECUV1H101JCV	100p	1
C30	PQCUV1E104MD	0.1	S 1	C106	PQCUV1C105ZF	1	1
C31	Not Used			C107	PQCUV1H103KB	0.01	S 1
C32	Not Used			C110	ECEA1CK100	10	S 1
C33	PQCUV1E104MD	0.1	S 1	C111	ECUV1H101JCV	100p	1
C34	ECEA1CK100	10	S 1	C112	PQCUV1E104MD	0.1	S 1
C35	ECEA1HKSR47	0.47	S 1	C113	ECEA1CK100	10	S 1
C36	PQCUV1C224ZF	0.22	1	C114	Not Used		
C37	ECUV1H473MDV	0.047	S 1	C115	Not Used		
C38	Not Used			C116	PQCUV1H222KB	0.0022	1
C39	ECUV1H151JCV	150p	1	C117	Not Used		
C40	PQCUV1H100DC	10p	1	C118	ECEA1HKS010	1	S 1
C41	ECUV1E104ZFB	0.1	1	C119	ECEA1AKS330	33	S 1
C42	ECUV1H103KBV	0.01	S 1	C120	ECEA1HKS010	1	S 1
C43	ECUV1H103KBV	0.01	1	C121	Not Used		
C44	Not Used			C122	PQCUV1H153KB	0.015	S 1
C45	ECUV1H560JCV	56p	1	C123	ECUV1H222KBV	0.0022	S 1
C46	PQCUV1H103KB	0.01	S 1	C124	ECUV1H181JCV	180p	1
C47	PQCUV1H560JC	56p	1	C130	ECEA0JU102	1000	1
C48	PQCUV1H330JC	33p	1	C131	PQCUV1C224ZF	0.22	1
C49	PQCUV1H103KB	0.01	S 1	C132	Not Used		
C51	PQCUV1H333JC	0.033	S 1	C133	ECEA0JU102	1000	1
C52	PQCUV1E104MD	0.1	S 1	C134	ECEA1CU221	220	1
C53-58	Not Used			C135	ECEA1CK101	100	S 1
C59	ECUV1H103KBV	0.01	S 1	C136	ECUV1H103KBV	0.01	1
C60	ECUV1H030CCV	3p	1	C137	PQCUV1E104MD	0.1	S 1
C61	PQCUV1H1R5CC	1.5p	1	C138	PQCUV1E104MD	0.1	S 1
C62	Not Used			C139	PQCUV1E104MD	0.1	S 1
C63	Not Used			C140	ECEA1CK101	100	S 1
C64	PQCUV1H100DC	10p	1	C141-143	Not Used		
C65	ECUV1H103KBV	0.01	S 1	C144	PQCUV1H682KB	0.0068	1
C66	PQCUV1H470JC	47p	1	C145-148	Not Used		
C67	PQCUV1H680JC	68p	1	C149	PQCUV1E104MD	0.1	S 1
C68	Not Used			C150	ECUV1H102KBV	0.001	1
C69	ECEA1HKS010	1	S 1	C151	ECUV1H222KBV	0.0022	1
C70	PQCUV1H270JC	27p	1	C152	ECEA1CK100	10	S 1
C71	PQCUV1H180JC	18p	1	C153	PQCUV1E104MD	0.1	S 1
C72	PQCUV1E104MD	0.1	S 1	C154-156	Not Used		
C73	PQCUV1H100DC	10p	1	C157	PQCUV1E104MD	0.1	S 1
C74	ECEA1HKS4R7	4.7	S 1	C158	ECUV1H101JCV	100P	1
C75	PQCUV1H2R5C	2.5p	1	C159	PQCUV1E104MD	0.1	S 1
C76	ECUV1H681JCV	680p	1	C170	PQCUV1E104MD	0.1	S 1
C77	PQCUV1H102J	0.001	S 1				
C78	ECUV1H103KBV	0.01	1				
C83	PQCUV1H102J	0.001	S 1				
C84	ECUV1H102KBV	0.001	1				
C85	Not Used						

**KX-TC418RU-B**

Ref. No.	Part No.	Value	Pcs/Set	Ref. No.	Part No.	Part Name & Description	Pcs/Set
C200	PQCUV1C224ZF	0.22	1	OPERATION PRINTED CIRCUIT BOARD PARTS			
C201	ECUV1H683ZFB	0.068	S 1	PCB2	PQWP24046ALH	OPERATION, P.C. BOARD ASS'Y (RTL)	1
C202	PQCUV1C683MD	0.068	1	CN2	PQJS14A36Z	(CONNECTOR)	1
C203	PQCUV1H103KB	0.01	S 1			CONNECTOR, 14 PIN	
C204	Not Used			LED5	LNJ322GKGAH	(LEDS)	1
C205	Not Used					LED	
C206	ECEA1HKS010	1	S 1	LED7	LN222RPH	LED	1
C207	ECEA1HKS010	1	S 1	(SWITCHES)			
C208	ECEA1CKS470	47	S 1				
C209	ECEA1HKS4R7	4.7	S 1	S3	EVQJJ05Q	SWITCH, VOLUME UP	S 1
C210	PQCUV1C683MD	0.068	1	S4	EVQJJ05Q	SWITCH, VOLUME DOWN	S 1
C211	PQCUV1E104MD	0.1	S 1	S5	EVQJJ05Q	SWITCH, REDIAL	S 1
C212	ECUV1E104ZFB	0.1	S 1	S6	EVQJJ05Q	SWITCH, DIAL "3"	S 1
C213	ECEA1CKS100	10	S 1	S7	EVQJJ05Q	SWITCH, DIAL "6"	S 1
C214	PQCUV1H103KB	0.01	S 1	S8	EVQJJ05Q	SWITCH, DIAL "9"	S 1
C215	ECEA1HKS4R7	4.7	S 1	S9	EVQJJ05Q	SWITCH, DIAL "#"	S 1
C216	ECEA1CKS470	47	S 1	S10	EVQJJ05Q	SWITCH, DIAL "2"	S 1
C217	ECEA0JK221	220	1	S11	EVQJJ05Q	SWITCH, DIAL "5"	S 1
C218	PQCUV1E104MD	0.1	S 1	S12	EVQJJ05Q	SWITCH, DIAL "8"	S 1
C219	ECEA1HKS010	1	S 1	S13	EVQJJ05Q	SWITCH, DIAL "0"	S 1
C220	ECEA1CK101	100	S 1	S14	EVQJJ05Q	SWITCH, DIAL "1"	S 1
C221	ECEA1AU102	1000	1	S15	EVQJJ05Q	SWITCH, DIAL "4"	S 1
C222	PQCUV1E104MD	0.1	S 1	S16	EVQJJ05Q	SWITCH, DIAL "7"	S 1
C223	Not Used			S17	EVQJJ05Q	SWITCH, DIAL ""	S 1
C224	PQCUV1H102J	0.001	1	S18	EVQJJ05Q	SWITCH, SP-PHONE	S 1
C225	PQCUV1H682KB	0.0068	1	S19	EVQJJ05Q	SWITCH, RECALL	S 1
C226	PQCUV1H331JC	330p	1	S20	EVQJJ05Q	SWITCH, HOLD	S 1
C227	PQCUV1H331JC	330p	1	S21	EVQJJ05Q	SWITCH, LOCATOR/INTERCOM	S 1
C228	ECUV1H221JCV	220p	1				
C229	PQCUV1H102J	0.001	S 1				
C230	PQCUV1H223KB	0.022	S 1				
C231	PQCUV1H470JC	47p	1				
C232	PQCUV1H222KB	0.0022	1				
C233	PQCUV1H221JC	220p	1				
C234	ECUV1H473MDV	0.047	S 1				
C235	ECUV1H103KBV	0.01	1				
C236	Not Used						
C237	ECUV1H271JCV	270p	1				
C238	PQCUV1E104MD	0.1	S 1				
C301	ECQE2224KF	0.22	1				
C302	ECEA1CK101	100	S 1				
C303	PQCUV1H103KB	0.01	S 1				
C304	ECEA1CKS100	10	S 1				
C305	Not Used						
C306	ECEA1HKS010	1	S 1				
C307	Not Used						
C308	ECEA1HKS3R3	3.3	S 1				
C309	ECEA1HU220	22	S 1				
C310	ECEA1HKS010	1	1				
C311	PQCUV1H103KB	0.01	S 1				
C312	PQCUV1H102J	0.001	S 1				
C313	ECKD2H681KB	680p	S 1				
C314	ECKD2H681KB	680p	S 1				

Ref. No.	Part No.		Part Name & Description	Pcs/ Set	Remarks
	KX-T4046AL	KX-TC418RU-B			
<b>Portable Handset</b>					
100	PQKM10230P1	PQKM10230J3	Front Cabinet	1	
101	PQKF10155Z1	PQKF10155Z2	Cabinet Cover	1	
102	PQSA10045Z	PQSA10054Z	Antenna	1	
104	PQSX10028M	PQSX10028G	12Key	1	
105	PQKK10061Z1	PQKK10061Z2	Battery Cover	1	
107	PQSX10029Z	PQSX10029Y	Cover	1	
109	PQGT12461Z	PQGT13044Z	Name Plate	1	
111	-----	PQHE10084Z	Foam Pad	1	Addition
PCB100	PQWPT4046ALR	PQWPC418RUBR	P.C.Board Ass'y (RTL)	1	
Q4	2SC2295	2SC3356R24	Transistor (Si)	1	
D15	1SS120	PQVDS5688G	Diode (Si)	1	
DH	-----	MA110	Diode (Si)	1	Addition
E107	-----	PQHE10070Z	Mic Sponge	1	Addition
R3	ERJ3GEYJ333	ERJ3GEYJ153	Resistor, 15k	1	
R4	ERJ3GEYJ470	ERJ3GEY0R00	Resistor, 0	1	
R5	ERJ3GEYJ470	ERJ3GEYJ390	Resistor, 39	1	
R7	ERJ3GEYJ220	ERJ3GEYJ100	Resistor, 10	1	
R32	ERJ3GEYJ154	ERJ3GEYJ224	Resistor, 220k	1	
R75	-----	ERJ3GEYJ473	Resistor, 47k	1	Addition
R97	-----	ERJ3GEYJ562	Resistor, 5.6k	1	Addition
J10	ERJ3GEY0R00	-----	Resistor, 0	0	Deletion
C3	ECUV1H180JCV	ECUV1H220JCV	Capacitor, 22PF	1	
C6	ECUV1H680JCV	ECUV1H101JCV	Capacitor, 100PF	1	
C9	ECUV1H1R5CCV	ECUV1H010CCV	Capacitor, 1 $\mu$ F	1	
C49	ECUV1H392KBV	ECUV1H562KBV	Capacitor, 0.0056 $\mu$ F	1	
C302	ECUV1H182KBV	ECUV1H102KBV	Capacitor, 0.001 $\mu$ F	1	
<b>Accessories and Packing Materials</b>					
A1	PQJA10059Z	PQJA59V	Telephone Cord	1	
A2	KX-A11BAXAL	KX-A11BS1FL1	AC Adaptor	1	△
A3	PQX11599Z	PQX11856Z	Instruction Book	1	
A5	PQKL24Y81	PQKL24Z0	Stand	1	
A6	PQJP04S11Z	-----	Telephone Plug	0	Deletion
A7	-----	PQJJ1TA8Z	Tel Jack	1	Addition
P2	XZB15X25A01	-----	Protection Cover (for Accessories)	0	Deletion
P4	PQPK12087Z	PQPK12448Y	Gift Box	1	
P5	PQPN10543Z	-----	Inner Box	0	Deletion
P6	PQPN10544Z	-----	Inner Box	0	Deletion
P7	-----	PQPN10584Z	Inner Box	1	Addition
P8	-----	PQPN10585Z	Inner Box	1	Addition
P9	-----	PQPN10596Z	Inner Box	1	Addition